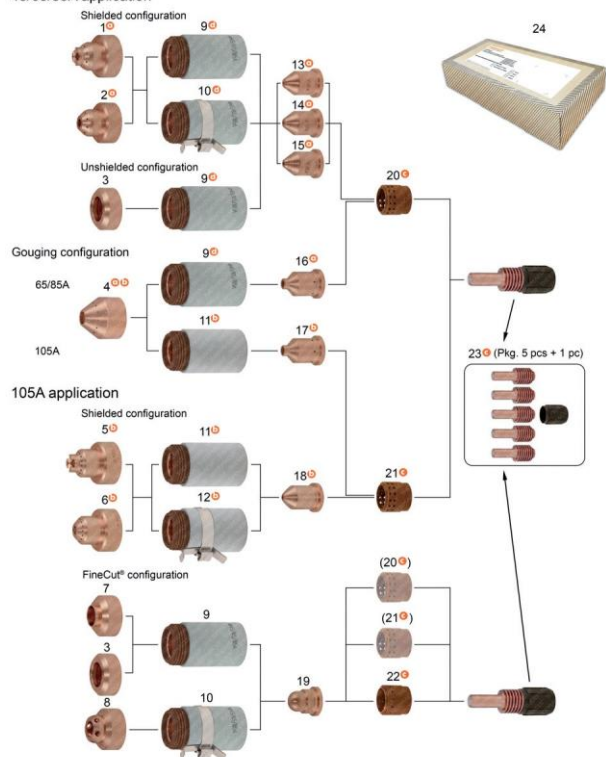


Hypertherm®

POWERMAX® 65 / POWERMAX® 85 / POWERMAX® 105

45/65/85A application



Item	Part No.	Ref. No.	Description	Std. Pkg.	Item	Part No.	Ref. No.	Description	Std. Pkg.
1	T-11406	220818-UR	Shield 45/65/85A, Hand	1	18	T-11840	220990-UR	Nozzle 105A	5
2	T-11404	220817-UR	Shield 45/65/85A, Machine	1	19	T-11845	220930	Nozzle 45A, FineCut®	5
3	T-11407	220955	Deflector 45/65/85/105A	1	20	T-11861	220857-UR	Swirl Ring 45-85A	1
4	T-12022	220798-UR	Shield 65/85/105A, Gouging	1	21	T-11930	220994-UR	Swirl Ring 105A	1
5	T-11841	220992-UR	Shield 105A, Hand	1	22	T-12015	220947-UR	Swirl Ring 45A, FineCut®	1
6	T-11842	220993-UR	Shield 105A, Machine	1	23	T-11883	220842x5	Electrode 45-105A (Pkg. 5 Pcs.)	1 x 5
7	T-12013	220931	Deflector 45A, FineCut®	1			220842	Part is available in 5pcs set 220842x5 only	
8	T-12014	220948	Shield 45A, FineCut®, Ohmic	1	**24	T-11933**	T-11933	Starter Kit 45A, Hand	1
9	T-11423	220854-UR	Retaining Cap 45/65/85A	1	**	T-11934**	T-11934	Starter Kit 45A, Machine	1
10	T-11931	220953-UR	Retaining Cap 45/65/85A, Ohmic	1	**	T-11935**	T-11935	Starter Kit 65A, Hand	1
11	T-11422	T-11422	Retaining Cap 105A	1	**	T-11936**	T-11936	Starter Kit 65A, Machine	1
12	T-11932	T-11932	Retaining Cap 105A, Ohmic	1	**	T-11937**	T-11937	Starter Kit 85A, Hand	1
13	T-11378	220941-UR	Nozzle 45A	5	**	T-11938**	T-11938	Starter Kit 85A, Machine	1
14	T-11377	220819-UR	Nozzle 65A	5	**	T-11939**	T-11939	Starter Kit 105A, Hand	1
15	T-11405	220816-UR	Nozzle 85A	5	**	T-11940**	T-11940	Starter Kit 105A, Machine	1
16	T-12021	220797-UR	Nozzle 65/85A, Gouging	5	**	T-11941**	T-11941	Empty box for Starter Kit, universal	1
17	T-12023	220991-UR	Nozzle 105A, Gouging	5					